



# Concept Pro

5MP

2.8mm  
Fixed  
Lens

30M  
IR

IP

## CVP9316AEIRM-IP5M/2.8 CVP9316AEIRM-IP5M-G/2.8

### Concept Pro 5MP IP Fixed Turret Camera

The CVP9316AEIRM-IP5M/2.8 model is an IP camera that has been designed to deliver the highest image quality for demanding external environments. This weather-resistant external turret features a 2.8mm fixed lens, smart infrared LEDs with 30m illumination range, and provides crisp 5 mega-pixel video.

It comes equipped with alarm and audio functionality for the most advanced installation needs. This camera is also designed for excellent compatibility with the Concept Pro range of network video recorders.

#### KEY FEATURES

- Max. 25FPS @ 5MP
- 2.8mm Fixed Lens
- Up to 30m Smart IR Illumination
- AI-Powered Motion Detection
- H.265 Video Codec & VBR+
- Smart Bit Rate Control
- Built-In Microphone, Line Audio & Alarm Interface
- Enhanced Low-Light Performance

#### OTHER FEATURES

- PoE/DC12V Power Input
- True WDR, ATW, BLC, Defog, 3D-DNR
- Manual Regions of Interest
- ONVIF Profile S Compliant
- IP67 Rated

#### AI-Powered Motion Detection

Reduce false motion detection alarms by up to 95% using new AI-Powered Motion Detection technology.

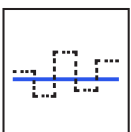
Trained with AI-Powered algorithms, the camera can recognise and trigger motion detection events only if a person is detected in the specified area. As a result, false alarms from sources such as lights, animals, foliage, weather, and other objects are effectively filtered and reduced.



#### Intelligent, Efficient Bit Rate Control

Reduce camera streaming bit rates by up to 90% by using Variable Bit Rate (VBR) or VBR+ smart bit rate control settings.

These dynamic features maximise overall image quality while minimising camera stream bit rates. This results in lower network bandwidth usage and extended recording storage retention time.



**VBR+**

#### Enhanced Low Light Performance

This model utilises an Enhanced Low Light image sensor with greater light sensitivity, resulting in the camera capturing colour images long after standard CCTV cameras have switched to black & white night mode and brighter images in darker conditions.



COMPATIBLE WITH



Concept  Pro  
IP RECORDING  
RANGE

# CVP9316AEIRM-IP5M/2.8

# CVP9316AEIRM-IP5M-G/2.8

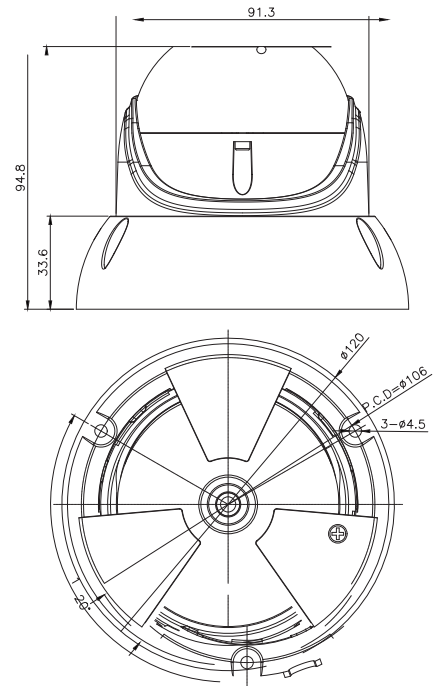
## Concept Pro 5MP IP Fixed Turret Camera

### SPECIFICATION

MODEL/FEATURE	CVP9316AEIRM-IP5M/2.8 CVP9316AEIRM-IP5M-G/2.8
Video Output Type	IP
Image Sensor	1/2.8" Progressive Scan CMOS
Signal System	PAL/NTSC
Min. Illumination	Enhanced Low Light Performance - Colour: 0.004 Lux @ (F2.0, AGC ON) 88W: 0 lux with IR LEDs on
Electronic Shutter	Auto/Manual, 1/25 to 1/5,000s
S/N Ratio	≥48dB
IR LEDs	x2
IR Illumination Range	Max. 30m
IR Control	Auto/Off
Adaptable IR	Auto
Pan/Tilt/Rotation Range	P: 0°-349°, T: 0°-80°, R: 0°-360°
Lens Type	Fixed Lens
Mount Type	Built-in
Focal Length	f=2.8mm
Aperture	F2.0
Angle of View	H: 101.8°, V: 74.6°, D: 132.1° (5MP) - H: 101.8°, V: 57.2°, D: 120.6° (4MP)
Focus	Fixed Focus
Iris	Fixed Iris
Compression	H.265/H.264 with VBR+ Smart Codec Option
Stream Capability	Triple Streaming + SVC Stream
Resolution	2592x1944, 2592x1520, 2304x1296, 2048x1536, 1920x1080, 1280x1024, 1024x768, 1280x720, 704x576, 704x480, 640x480, 640x360, 352x288, 352x240
Frame Rate	Stream 1: Max. 25FPS @ 2592x1944 Stream 2: Max. 25FPS @ 1280x720 Stream 3: Max. 25FPS @ 640x480
Bit Rate Control	CBR/VBR/VBR+
Bit Rate	Stream 1: 1,000-8,000kbps Stream 2: 600-2,000kbps Stream 3: 600-2,000kbps
Day/Night	True D&N with ICR (Auto/Day/Night/Schedule)
Backlight Compensation	Yes
WDR	True WDR
White Balance	ATW/Manual (Indoor/Fluorescent/Outdoor)
Gain Control	Auto
Noise Reduction	3D-DNR (Auto/Manual)
Region of Interest	Manual (Max. 8 Regions)
Defog	Yes
Slow Shutter	Off/x2/x4/x8
Image Setting	Mirror, Flip, Corridor Mode
Image Adjustment	Brightness, Contrast, Colour, Sharpness
Privacy Masking	Yes (Max. 4 Areas)
Motion Detection	Yes (Max. 4 Areas)
Tamper Detection	Yes
AI Motion Detection	Yes (Human Detection)
AI Video Analytics	-
Transmission Distance	Max. 100m over Ethernet
Ethernet	x1 RJ45 10M/100M Ethernet
Protocol	IPv4, IPv6, IGMP, ICMP, ARP, TCP, UDP, DHCP, RTP, RTSP, RTCP, DNS, DDNS, NTP, SMTP, FTP, UPnP, HTTP, HTTPS, SSL/TLS 802.1X
Security	Complex password requirement, user authentication, digest authentication, TLS 1.2, HTTPS, RTSP over TLS
Interoperability	ONVIF Profile S, HTTP/RTSP API
ONVIF Channels	Max. 4 Streams
Streaming Method	Unicast/Multicast
Max. User Access	x10
Edge Software	Local PC (Snapshot/Recording)
Video Interface	-
Alarm Interface	Alarm In x1, Alarm Out x1
Audio Interface	Line Audio In, x1 Line Audio Out
Audio Compression	G.711u-law (8kHz)
RS-485	-
Microphone	Yes
Control Protocol	N/A
Reset Button	Yes
Power Supply	PoE 802.3af (Class 0)/DC12V
Power Consumption	PoE: Max. 5.8W with IR on DC12V: Max. 4.7W with IR on
Power Output	-
Operating Temperature	-20°C to +50°C
Operating Humidity	0% to 90%
Ingress Protection	IP67
Vandal Resistance	-
Housing Materials	Aluminum Diecasting
RAL	CVP9316AEIRM-IP5M/2.8: RAL9010 Pure White CVP9316AEIRM-IP5M-G/2.8: RAL7021 Black Grey
Dimensions	Ø 120mm x (H) 94.8mm
Net Weight	≈700g
Gross Weight	≈850g
Certifications	CE/RoHS

### DIMENSIONS

All measurements are in mm.



### ORDER CODE

<b>CVP9316AEIRM-IP5M/2.8</b>	Concept Pro 5MP IP Fixed Turret Camera (2.8mm)
<b>CVP9316AEIRM-IP5M-G/2.8</b>	Concept Pro 5MP IP Fixed Turret Camera (2.8mm, Black)

### OTHER PRODUCTS IN THE RANGE

<b>CVP9316AEIRM-IP5M/4</b>	Concept Pro 5MP IP Fixed Turret Camera (4mm)
<b>CVP9316AEIRM-IP5M-G/4</b>	Concept Pro 5MP IP Fixed Turret Camera (4mm, Black)
<b>CVP9316AEIRM-IP5M-Z</b>	Concept Pro 5MP IP Motorized Turret Camera
<b>CVP9316DLCS-IP5M/2.8</b>	Concept Pro 5MP IP ColourSmart Fixed Turret Camera
<b>CVP9316AEIRM-IP5M/4</b>	Concept Pro 5MP IP Fixed Turret Camera (4mm)
<b>CVP9316DLCS-IP5M-G/2.8</b>	Concept Pro 8MP IP Fixed Turret Camera
<b>CVP9316DLIREL-IP8M-G/2.8</b>	Concept Pro 8MP Fixed Turret Camera (Black)
<b>CVP9316DLCS-IP8M/2.8</b>	Concept Pro 8MP IP ColourSmart Fixed Turret Camera
<b>CVP9316DLCS-IP8M-G/2.8</b>	Concept Pro 8MP IP ColourSmart Fixed Turret Camera (Black)W

### RECOMMENDED ACCESSORIES

• <b>CP-BASE-1-V2</b>	Concept Pro Small Junction Box
• <b>CP-BASE-1-V2-G</b>	Concept Pro Small Junction Box - Black Grey
• <b>CP-WM-1-V2</b>	Concept Pro Small Wall Mount
• <b>CP-WM-1-V2-G</b>	Concept Pro Small Wall Mount - Black Grey
• <b>CP-PM-1-V2</b>	Concept Pro Small Pendant Mount
• <b>CP-PM-1-V2-G</b>	Concept Pro Small Pendant Mount - Black Grey
• <b>CP-PLM-V2</b>	Concept Pro Pole Mount
• <b>CP-CM-V2</b>	Concept Pro Corner Mount
• <b>CAT6-305 305m</b>	CAT6 Cable (Green)

# CVP9316AEIRM-IP5M/2.8

# CVP9316AEIRM-IP5M-G/2.8

Concept Pro 5MP IP Fixed Turret Camera

# Concept Pro

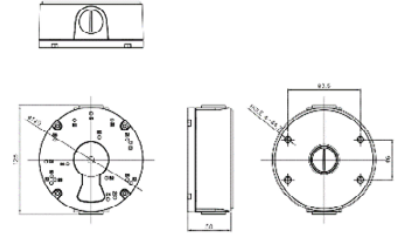
## ACCESSORIES

## DIMENSIONS

### CP-BASE-1-V2

### CP-BASE-1-V2-G

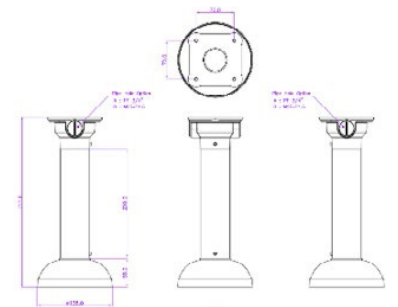
Concept Pro Small  
Junction Box



### CP-PM-1-V2

### CP-PM-1-V2-G

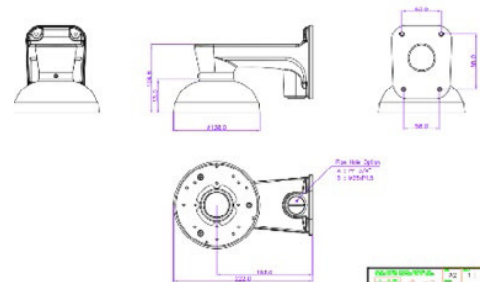
Concept Pro Small  
Pendant Mount



### CP-WM-1-V2

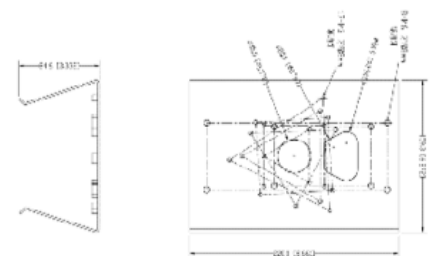
### CP-WM-1-V2-G

Concept Pro Small  
Wall Mount



### CP-PLM-1-V2

Concept Pro Pole Mount  
(Can be combined with  
CP-BASE-1-V2)



### CP-CM-V2

Concept Pro Corner Mount  
(Can be combined with  
CP-BASE-1-V2)

