



Concept Pro

5MP

2.8-8mm
Motorised
Lens

30M
IR

IP

CVP9316AEIRM-IP5M-Z

Concept Pro 5MP IP Motorised Turret Camera

The CVP9316AEIRM-IP5M-Z model is an IP camera that has been designed to deliver the highest image quality for demanding external environments. This weather-resistant external turret features a 2.8-8mm motorised lens, smart infrared LEDs with 30m illumination range, and provides crisp 5 mega-pixel video.

It comes equipped with alarm and audio functionality for the most advanced installation needs. This camera is also designed for excellent compatibility with the Concept Pro range of network video recorders.

KEY FEATURES

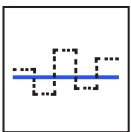
- Max. 25FPS @ 5MP
- 2.8-8mm Motorised Lens
- Up to 30m Smart IR Illumination
- AI-Powered Motion Detection
- H.265 Video Codec & VBR+
- Smart Bit Rate Control
- Built-In Microphone, Line Audio & Alarm Interface
- Enhanced Low-Light Performance



AI-Powered Motion Detection

Reduce false motion detection alarms by up to 95% using new AI-Powered Motion Detection technology.

Trained with AI-Powered algorithms, the camera can recognise and trigger motion detection events only if a person is detected in the specified area. As a result, false alarms from sources such as lights, animals, foliage, weather, and other objects are effectively filtered and reduced.



VBR+

Intelligent, Efficient Bit Rate Control

Reduce camera streaming bit rates by up to 90% by using Variable Bit Rate (VBR) or VBR+ smart bit rate control settings.

These dynamic features maximise overall image quality while minimising camera stream bit rates. This results in lower network bandwidth usage and extended recording storage retention time.



Enhanced Low Light Performance

This model utilises an Enhanced Low Light image sensor with greater light sensitivity, resulting in the camera capturing colour images long after standard CCTV cameras have switched to black & white night mode and brighter images in darker conditions.

BUILT-IN MICROPHONE

- PoE/DC12V Power Input
- True WDR, ATW, BLC, Defog, 3D-DNR
- Manual Regions of Interest
- ONVIF Profile S Compliant
- IP67 Rated

COMPATIBLE WITH



Concept  Pro
IP RECORDING
RANGE

CVP9316AEIRM-IP5M-Z

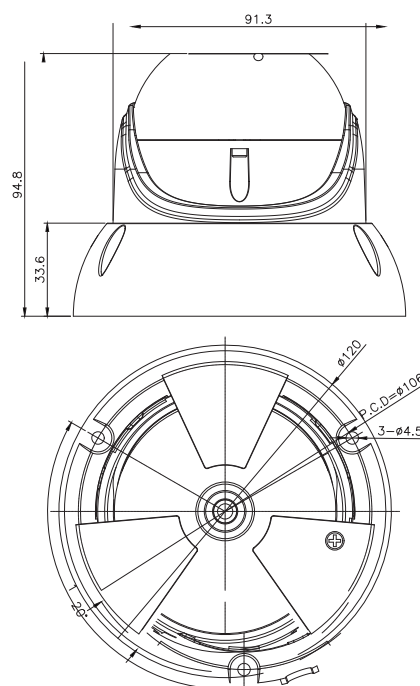
Concept Pro 5MP IP Motorised Turret Camera

SPECIFICATION

MODEL/FEATURE	CVP9316AEIRM-IP5M-Z	
Camera	Video Output Type	IP
	Image Sensor	1/2.8" Progressive Scan CMOS
	Signal System	PAL/NTSC
	Min. Illumination	Enhanced Low Light Performance - Colour: 0.004 Lux @ (F2.0, AGC ON) B&W: 0 lux with IR LEDs on
	Electronic Shutter	Auto/Manual, 1/25 to 1/5,000s
	S/N Ratio	≥48dB
	IR LEDs	x2
	IR Illumination Range	Max. 30m
	IR Control	Auto/Off
	Adaptable IR	Auto
Lens	Pan/Tilt/Rotation Range	P: 0°-349°, T: 0°-80°, R: 0°-360°
	Lens Type	Motorised Lens
	Mount Type	Built-In
	Focal Length	f=2.8-8mm
	Aperture	F1.6
	Angle of View	H: 102.8-50°, V: 74.1-37.4°, D: 142.5-62.5°
	Focus	Auto/Manual Focus
	Iris	Fixed Iris
	Compression	H.265/H.264 with VBR+ Smart Codec Option
	Stream Capability	Triple Streaming + SVC Stream
Video	Resolution	2592x1944, 2592x1520, 2304x1296, 2048x1536, 1920x1080, 1280x1024, 1024x768, 1280x720, 704x576, 704x480, 640x480, 640x360, 352x288, 352x240
	Frame Rate	Stream 1: Max. 25FPS @ 2592x1944 Stream 2: Max. 25FPS @ 1280x720 Stream 3: Max. 25FPS @ 640x480
	Bit Rate Control	CBR/VBR/VBR+
	Bit Rate	Stream 1: 1,000-8,000kbps Stream 2: 600-2,000kbps Stream 3: 600-2,000kbps
	Day/Night	True D&N with ICR (Auto/Day/Night/Schedule)
	Backlight Compensation	Yes
	WDR	True WDR
	White Balance	ATW/Manual (Indoor/Fluorescent/Outdoor)
	Gain Control	Auto
	Noise Reduction	3D-DNR (Auto/Manual)
Network	Region of Interest	Manual (Max. 8 Regions)
	Defog	Yes
	Slow Shutter	Off/X2/X4/X8
	Image Setting	Mirror, Flip, Corridor Mode
	Image Adjustment	Brightness, Contrast, Colour, Sharpness
	Privacy Masking	Yes (Max. 4 Areas)
	Motion Detection	Yes (Max. 4 Areas)
	Tamper Detection	Yes
	AI Motion Detection	Yes (Human Detection)
	AI Video Analytics	-
Interface	Transmission Distance	Max. 100m over Ethernet
	Ethernet	x1 RJ45 10M/100M Ethernet
	Protocol	IPv4, IPv6, IGMP, ICMP, ARP, TCP, UDP, DHCP, RTP, RTSP, DNS, DDNS, NTP, SMTP, FTP, UPnP, HTTP, HTTPS, SSL/TLS, 802.1X
	Security	Complex password requirement, user authentication, digest authentication, TLS 1.2, HTTIPS, RTSP over TLS
	Interoperability	ONVIF Profile S, HTTP/RTSP API
	ONVIF Channels	Max. 4 Streams
	Streaming Method	Unicast/Multicast
	Max. User Access	x10
	Edge Software	Local PC (Snapshot/Recording)
	Video Interface	-
General	Alarm Interface	Alarm In x1, Alarm Out x1
	Audio Interface	Line Audio In, x1 Line Audio Out
	Audio Compression	G.711 u-law (8kHz)
	RS-485	-
	Microphone	Yes
	Control Protocol	N/A
	Reset Button	Yes
	Power Supply	PoE 802.3af (Class 0)/DC12V
	Power Consumption	PoE: Max. 6.2W (IR on) DC12V: Max. 5.0W (IR on)
	Power Output	-
Certification	Operating Temperature	-20°C to +50°C
	Operating Humidity	0% to 90%
	Ingress Protection	IP67
	Vandal Resistance	-
	Housing Materials	Aluminium Die-casting
	RAL	RAL9010 Pure White
	Dimensions	Ø 120mm × (H) 94.8mm
	Net Weight	≈700g
	Gross Weight	≈850g
	Certifications	CE/RoHS

DIMENSIONS

All measurements are in mm.



ORDER CODE

CVP9316AEIRM-IP5M-Z

Concept Pro 5MP IP Motorised Turret Camera

OTHER PRODUCTS IN THE RANGE

CVP9316AEIRM-IP5M/2.8

Concept Pro 5MP IP Fixed Turret Camera (2.8mm)

CVP9316AEIRM-IP5M-G/2.8

Concept Pro 5MP IP Fixed Turret Camera (2.8mm, Black)

CVP9316AEIRM-IP5M/4

Concept Pro 5MP IP Fixed Turret Camera (4mm)

CVP9316AEIRM-IP5M-G/4

Concept Pro 5MP IP Fixed Turret Camera (4mm, Black)

CVP9316DLCS-IP5M/2.8

Concept Pro 5MP IP ColourSmart Fixed Turret Camera

CVP9316DLCS-IP5M-G/2.8

Concept Pro 5MP IP ColourSmart Fixed Turret Camera

CVP9316DLIREL-IP8M/2.8

Concept Pro 8MP IP Fixed Turret Camera

CVP9316DLIREL-IP8M-G/2.8

Concept Pro 8MP Fixed Turret Camera (Black)

CVP9316DLCS-IP8M/2.8

Concept Pro 8MP IP ColourSmart Fixed Turret Camera

CVP9316DLCS-IP8M-G/2.8

Concept Pro 8MP IP ColourSmart Fixed Turret Camera (Black)

RECOMMENDED ACCESSORIES

- **CP-BASE-1-V2** Concept Pro Small Junction Box
- **CP-BASE-1-V2-G** Concept Pro Small Junction Box - Black Grey
- **CP-WM-1-V2** Concept Pro Small Wall Mount
- **CP-WM-1-V2-G** Concept Pro Small Wall Mount - Black Grey
- **CP-PM-1-V2** Concept Pro Small Pendant Mount
- **CP-PM-1-V2-G** Concept Pro Small Pendant Mount - Black Grey
- **CP-PLM-V2** Concept Pro Pole Mount
- **CP-CM-V2** Concept Pro Corner Mount
- **CAT6-305 305m** CAT6 Cable (Green)

CVP9316AEIRM-IP5M-Z

Concept Pro 5MP IP Motorised Turret Camera

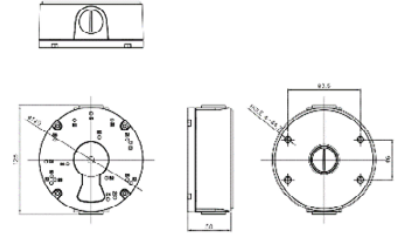
Concept Pro

ACCESSORIES

DIMENSIONS

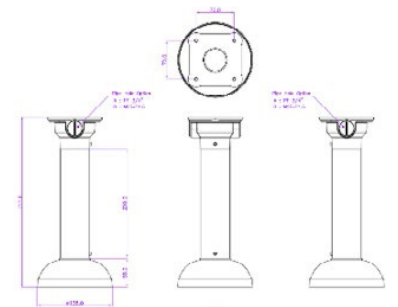
CP-BASE-1-V2 CP-BASE-1-V2-G

Concept Pro Small
Junction Box



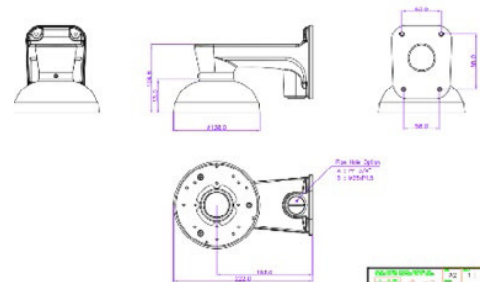
CP-PM-1-V2 CP-PM-1-V2-G

Concept Pro Small
Pendant Mount



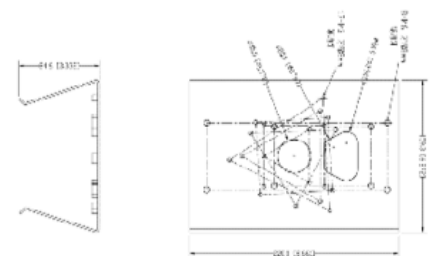
CP-WM-1-V2 CP-WM-1-V2-G

Concept Pro Small
Wall Mount



CP-PLM-1-V2

Concept Pro Pole Mount
(Can be combined with
CP-BASE-1-V2)



CP-CM-V2

Concept Pro Corner Mount
(Can be combined with
CP-BASE-1-V2)

